

X1-100-MR

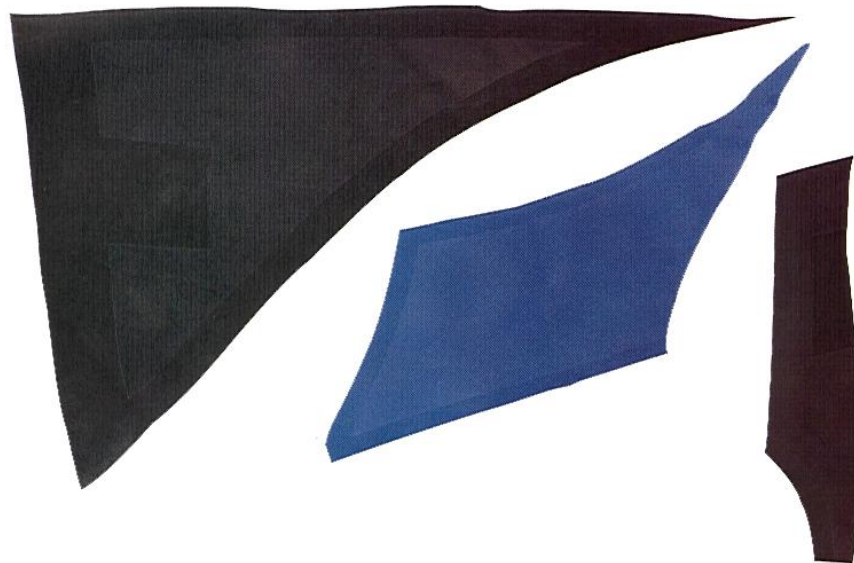
***SCOURING MACHINE
WITH ABRASIVE WHEEL
AND TRANSPORTER ROLLER***



INTRODUCTION

X1-100-MR MULTIFUNCTIONAL SCOURING MACHINE FOR RUBBERIZED FABRICS

Machine mod. **X1-100-MR** is the most modern, versatile and technologically advanced solution for the different problems linked to roughing operations of rubberized fabrics, rubber profiles and so on This model finds its best application in the nautical field for the production of inflatables and technical articles.

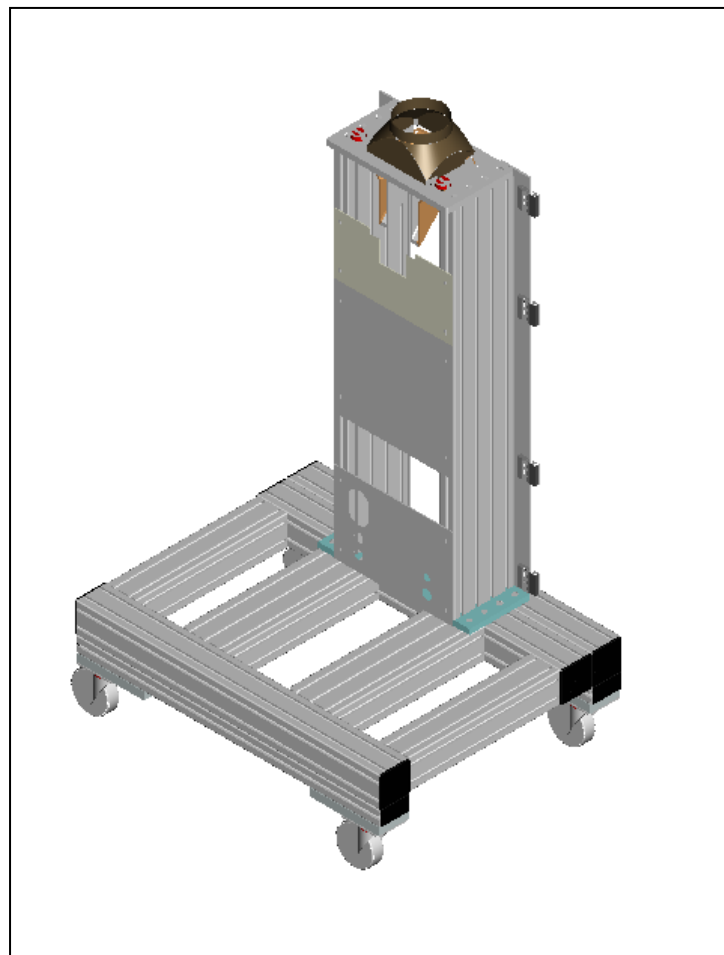


Mod. **X1-100-MR** combines perfectly the experience acquired thanks to the installations of previous models with a modern technology mainly based on modular structures and components.

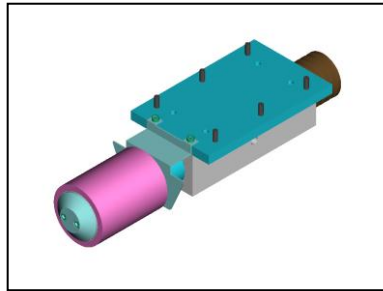
The results are: exceptional working flexibility, high precision, remarkable applications in the complete respect of the actual laws concerning environment, ergonomics and safety.

THE MACHINE

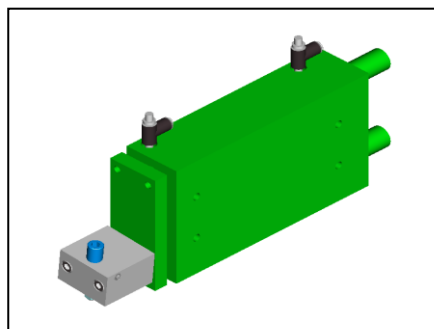
- Base and supporting structure, completely modular, realized by aluminium high resistance sections, no maintenance required



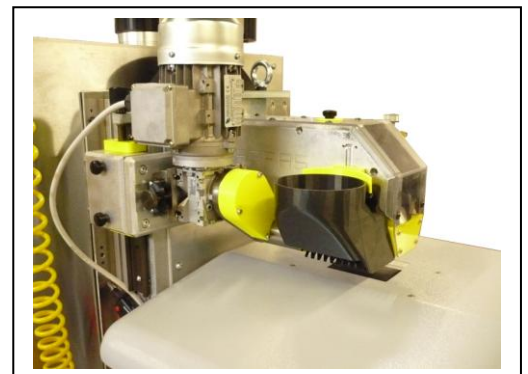
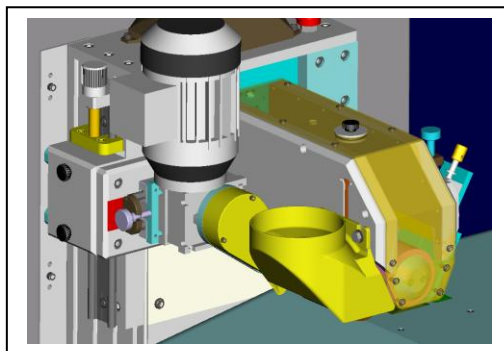
- Extremely solid and precise spindle group;



- Wheel-dressing tool group.



- **Additional brush group to clean components.**



For good working results we suggest to install a dust extractor with the following min. features:

Motor Power	2,2 kW
Suction orifice	n° 2 D 120 mm
Minimum capacity	2400m ³ /h
Depression	215mm/H ² O

- Conveyor roller group with cleaning brush group:



SAFETY

As regards safety, we adopted the following precautionary measures:

- Fixed guards for the tool and the conveyor roller;
- Movable protections with tool safety stroke ends;
- Main transmission door with safety stroke ends and key;
- Other electropneumatic devices for the hardware control of machine's special functions;
- Emergency control by push button and pedal.

TECHNICAL DATA

<i>Width</i>	<i>81 cm</i>
<i>Depth</i>	<i>100 cm</i>
<i>Height</i>	<i>175 cm</i>
<i>Net weight</i>	<i>400 kg</i>
<i>Scouring thickness adjustable manually</i>	<i>0÷30 mm</i>
<i>Max scouring width</i>	<i>100 mm</i>
<i>Scouring power</i>	<i>4 CV</i>
<i>Digital visualization of scouring thickness, resolution</i>	<i>0,02 mm</i>
<i>Scouring pressure adjustable</i>	<i>pneumatically</i>
<i>Working speed adjustable electronically from</i>	<i>0 ÷ 21 mt/1'</i>
<i>Machine functions controlled by PLC</i>	